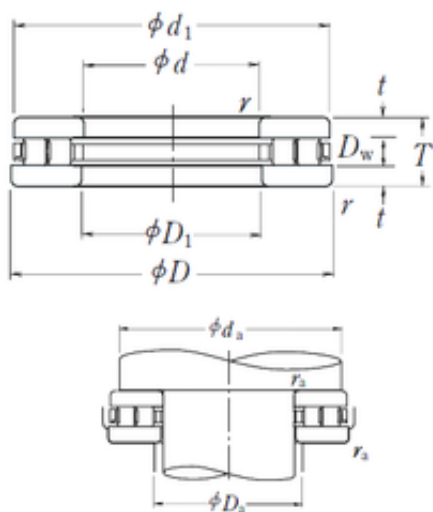




GGB BEARING CO., LTD.



NSK 240TMP12 CYLINDRICAL ROLLER THRUST BEARINGS

Bearing No. 240TMP12

Size	240x340x78 mm
Bore Diameter	240 mm
Outer Diameter	340 mm
Width	78 mm
d	240 mm
D	340 mm
hidYobi	240TMP12
LangID	1
D_	340
C	965
B_	78
hidTable	ecat_NSCRT
Oil rpm	850
mass	23.3
d1	335
GRS rpm	280
ra	2
D_a	258
C0	4100
D_1	244
Prod_Type3	TB_TCRB_A
da	322
DA_	32
Z_	21
Dw	32

240TMP12 Bearing 2D drawings and 3D CAD models



GGB BEARING CO., LTD.

yobi	240TMP12
RAC	100
t	23
r	2.1
T_	78
KBRG	4614