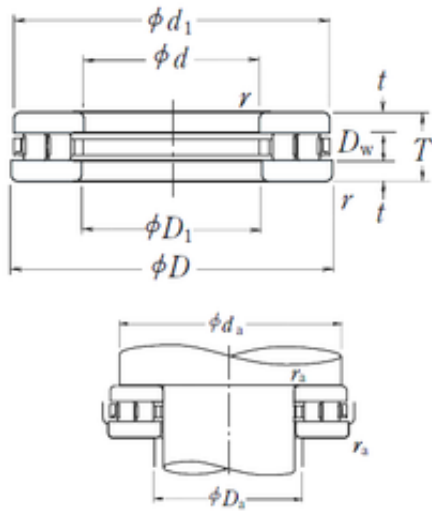




GGB BEARING CO., LTD.



NSK 320TMP11 CYLINDRICAL ROLLER THRUST BEARINGS

Bearing No. 320TMP11

Size	320x400x63 mm
Bore Diameter	320 mm
Outer Diameter	400 mm
Width	63 mm
d	320 mm
D	400 mm
hidYobi	320TMP11
LangID	1
D_	400
C	820
B_	63
hidTable	ecat_NSCRT
Oil rpm	900
mass	18
d1	396
GRS rpm	300
ra	2
D_a	335
C0	4250
D_1	324
Prod_Type3	TB_TCRB_A
da	385
DA_	25
Z_	35
Dw	25

320TMP11 Bearing 2D drawings and 3D CAD models



GGB BEARING CO., LTD.

yobi	320TMP11
RAC	150
t	19
r	2
T_	63
KBRG	4614