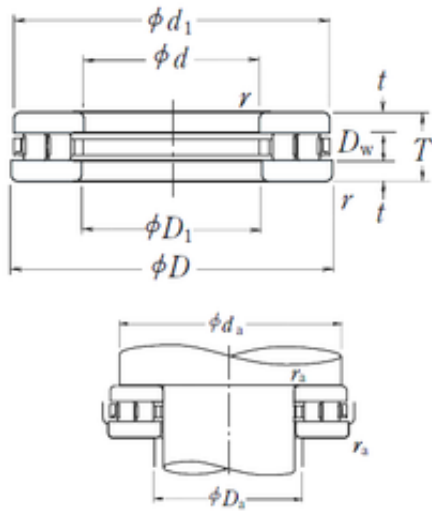




# GGB BEARING CO., LTD.



## NSK 150TMP12 CYLINDRICAL ROLLER THRUST BEARINGS

Bearing No. 150TMP12

Size	150x215x50 mm
Bore Diameter	150 mm
Outer Diameter	215 mm
Width	50 mm
d	150 mm
D	215 mm
hidYobi	150TMP12
LangID	1
D_	215
C	375
B_	50
hidTable	ecat_NSCRT
Oil rpm	1400
mass	6.15
d1	215
GRS rpm	480
ra	2
D_a	163
C0	1500
D_1	153
Prod_Type3	TB_TCRB_A
da	202
DA_	19
Z_	22
Dw	19

150TMP12 Bearing 2D drawings and 3D CAD models



## GGB BEARING CO., LTD.

yobi	150TMP12
RAC	70
t	15.5
r	2
T_	50
KBRG	4614