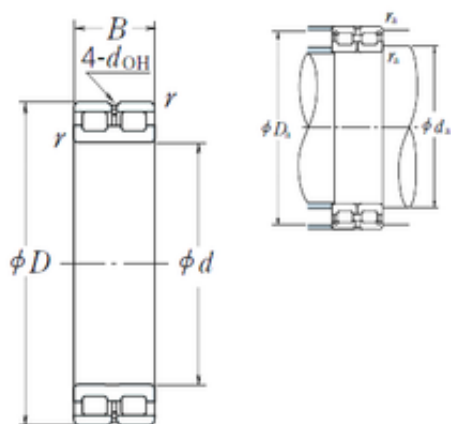




GGB BEARING CO., LTD.



420 mm x 560 mm x 140 mm NSK RSF-4984E4 FULL-COMPLEMENT CYLINDRICAL ROLLER BEARINGS

Bearing No. RSF-4984E4

Size	420x560x140 mm
Bore Diameter	420 mm
Outer Diameter	560 mm
Width	140 mm
d	420 mm
D	560 mm
B	140 mm
C	140 mm
r min.	4 mm
da min.	436 mm
Da max.	544 mm
ra max.	3 mm
Weight	98,5 Kg
Basic dynamic load rating (C)	2150 kN
Basic static load rating (C0)	5700 kN
(Grease) Lubrication Speed	200 r/min
hidYobi	RSF-4984E4
LangID	1
D_	560
B_	140
hidTable	ecat_NSCLDRS
Oil rpm	200
mass	98.5
GRS rpm	430

RSF-4984E4 Bearing 2D drawings and 3D CAD models



GGB BEARING CO., LTD.

ra	3
da_min	436
C0	5700
DE_	523
Prod_Type3	CRB_FRFS_OT_FREE
DA_	32
Z_	48
yobi	RSF-4984E4
da_max	544
SDM_	491
r	4
KBRG	4220
disp	8
DI_	459
doh	11