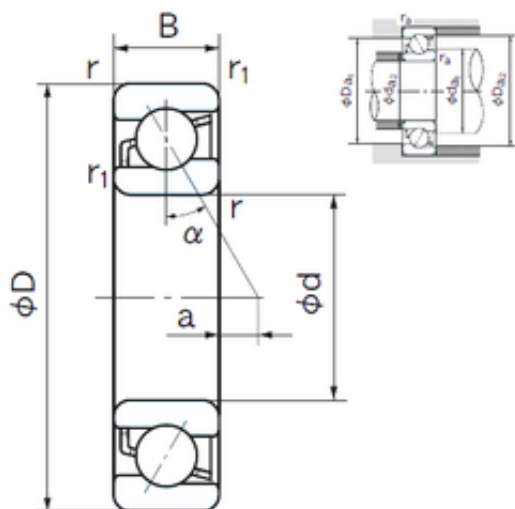




GGB BEARING CO., LTD.



Very Good Quality Tapered Roller Bearings
 Auto Parts 7309 SKF NTN NSK NMB Koyo
 NACHI Timken Spherical Roller Bearing/Angular
 Contact Ball Bearing

Bearing No. 7309

7309 Bearing 2D drawings and 3D CAD models

Size	45x100x25 mm
Bore Diameter	45 mm
Outer Diameter	100 mm
Width	25 mm
d	45 mm
D	100 mm
B	25 mm
C	25 mm
Angle ()	30 °
a	8.4 mm
r min.	1.5 mm
r1 min.	1 mm
da min.	54 mm
Da max.	91 mm
ra max.	1.5 mm
Weight	0.875 Kg
Basic dynamic load rating (C)	63,5 kN
Basic static load rating (C0)	43,5 kN
(Grease) Lubrication Speed	6300 r/min
Configuration	Single Row
Enclosure	Open
Bore Type	Cylindrical Bore
Bore Size	45 mm



GGB BEARING CO., LTD.

Outside Diameter	100 mm
Width	25 mm
Fillet Radius/Chamfer	1.5 mm
r1	1 mm
Dynamic Load Rating	63,500 N
Static Load Rating	43,500 N
Limiting Speed - Grease	6,300 rpm
Limiting Speed - Oil	8,500 rpm
da1 (min)	54 mm
da2 (min)	50 mm
Da1 (max)	91 mm
Da2 (max)	94.6 mm
ra (max)	1.5 mm
ra1 (max)	1 mm