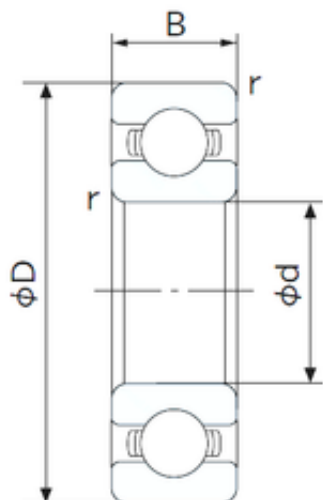




GGB BEARING CO., LTD.



NSK/Koyo/NTN/Fak/NACHI Distributor
 Supply Deep Groove Bearing 6201 6203 6205 6207
 6209 6211 for Auto Parts/Agricultural
 Machinery/Spare Parts

Bearing No. 6201

6201 Bearing 2D drawings and 3D CAD models

Size	12x32x10 mm
Bore Diameter	12 mm
Outer Diameter	32 mm
Width	10 mm
d	12 mm
D	32 mm
B	10 mm
C	10 mm
r min.	0.6 mm
da min.	17 mm
Da max.	27 mm
ra max.	0.6 mm
Weight	0.037 Kg
Basic dynamic load rating (C)	6,8 kN
Basic static load rating (C0)	3,05 kN
(Grease) Lubrication Speed	22000 r/min
Category	Single Row Ball Bearings
Inventory	0.0
Manufacturer Name	NACHI
Minimum Buy Quantity	N/A
Weight / Kilogram	0
Product Group	B00308
Enclosure	Open



GGB BEARING CO., LTD.

Precision Class	ABEC 1 ISO P0
Maximum Capacity / Filling Slot	No
Rolling Element	Ball Bearing
Snap Ring	No
Internal Special Features	No
Cage Material	Steel
Internal Clearance	C0-Medium
Inch - Metric	Metric
Long Description	12MM Bore; 32MM Outside Diameter; 10MM Outer Race Width; Open; Ball Bearing; ABEC 1 ISO P0; No Filling Slot; No Snap Ring; No Internal Special Features; C0-Medium Internal Clearance; Steel Cage
Other Features	Deep Groove
Category	Single Row Ball Bearing
UNSPSC	31171504
Harmonized Tariff Code	8482.10.50.68
Noun	Bearing
Keyword String	Ball
Manufacturer URL	http://www.nachiamerica.com
Weight / LBS	0.081
Bore	0.472 Inch 12 Millimeter
Outside Diameter	1.26 Inch 32 Millimeter
Outer Race Width	0.394 Inch 10 Millimeter
Inner Race Width	0 Inch 0 Millimeter
Bore Type	Cylindrical Bore
Configuration	Single Row
Bore Size	12 mm
Width	10 mm



GGB BEARING CO., LTD.

Fillet Radius/Chamfer	0.6 mm
Dynamic Load Rating	6,800 N
Static Load Rating	3,050 N
Limiting Speed - Grease	22,000 rpm
Limiting Speed - Oil	28,000 rpm
Factor fo	12.3
Radial Clearance	0.003 to 0.018 mm
da (min)	17 mm
Da (max)	27 mm
ra (max)	0.6 mm