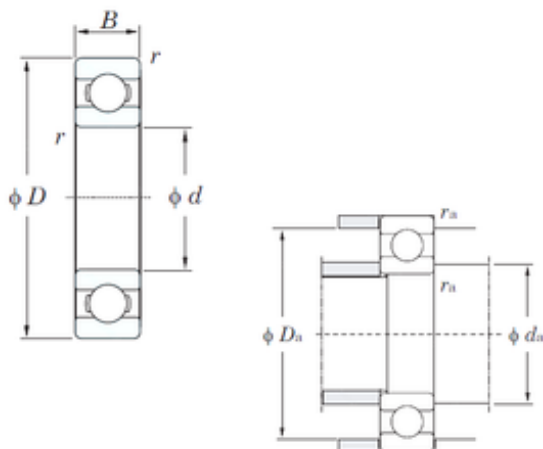




# GGB BEARING CO., LTD.



## Koyo Chrome Steel 6306 Deep Groove Ball Bearing

Bearing No. 6306

6306 Bearing 2D drawings and 3D CAD models

Size	30x72x19 mm
Bore Diameter	30 mm
Outer Diameter	72 mm
Width	19 mm
d	30 mm
D	72 mm
B	19 mm
C	19 mm
r min.	1,1 mm
da min.	36,5 mm
Da max.	65,5 mm
ra max.	1 mm
Weight	0,346 Kg
Basic dynamic load rating (C)	26,7 kN
Basic static load rating (C0)	15 kN
(Grease) Lubrication Speed	9600 r/min
(Oil) Lubrication Speed	12000 r/min
Category	Single Row Ball Bearings
Inventory	0.0
Manufacturer Name	KOYO
Minimum Buy Quantity	N/A
Weight / Kilogram	0.383
EAN	0605790074257
Product Group	B00308
Enclosure	Open



## GGB BEARING CO., LTD.

Precision Class	ABEC 1   ISO P0
Maximum Capacity / Filling Slot	No
Rolling Element	Ball Bearing
Snap Ring	No
Internal Special Features	No
Cage Material	Steel
Internal Clearance	C0-Medium
Inch - Metric	Metric
Long Description	30MM Bore; 72MM Outside Diameter; 19MM Outer Race Diameter; Open; Ball Bearing; ABEC 1   ISO P0; No Filling Slot; No Snap Ring; No Internal Special Features
Category	Single Row Ball Bearing
UNSPSC	31171504
Harmonized Tariff Code	8482.10.50.68
Noun	Bearing
Keyword String	Ball
Manufacturer URL	<a href="http://www.koyousa.com">http://www.koyousa.com</a>
Manufacturer Item Number	6306
Weight / LBS	0.843
Bore	1.181 Inch   30 Millimeter
Outside Diameter	2.835 Inch   72 Millimeter
Outer Race Width	0.748 Inch   19 Millimeter
Bearing No.	6306
r(min)	1.1
Cr	33.3
C0r	15.0
Cu	1.15
f0	13.3
Grease lub.	9600



## GGB BEARING CO., LTD.

Oil lub.	12000
da(min)	36.5
Da(max)	65.5
ra(max)	1
(Refer.)Mass(kg)	0.346